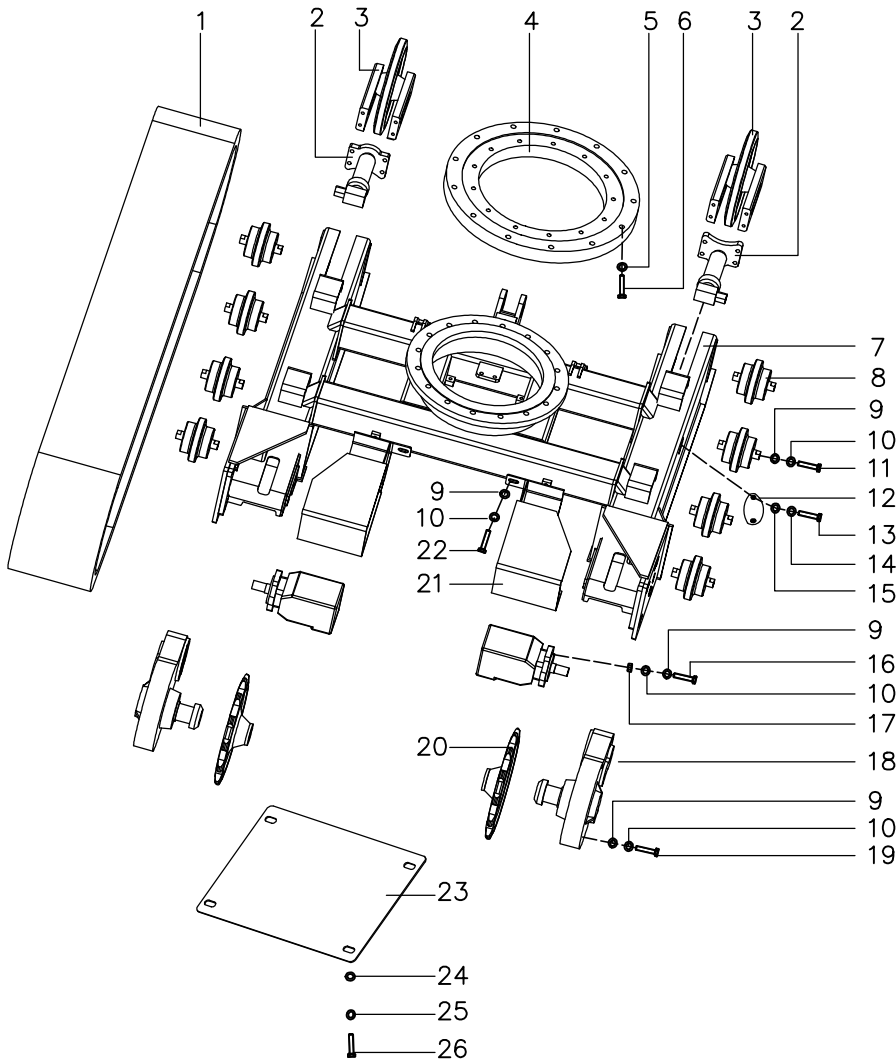


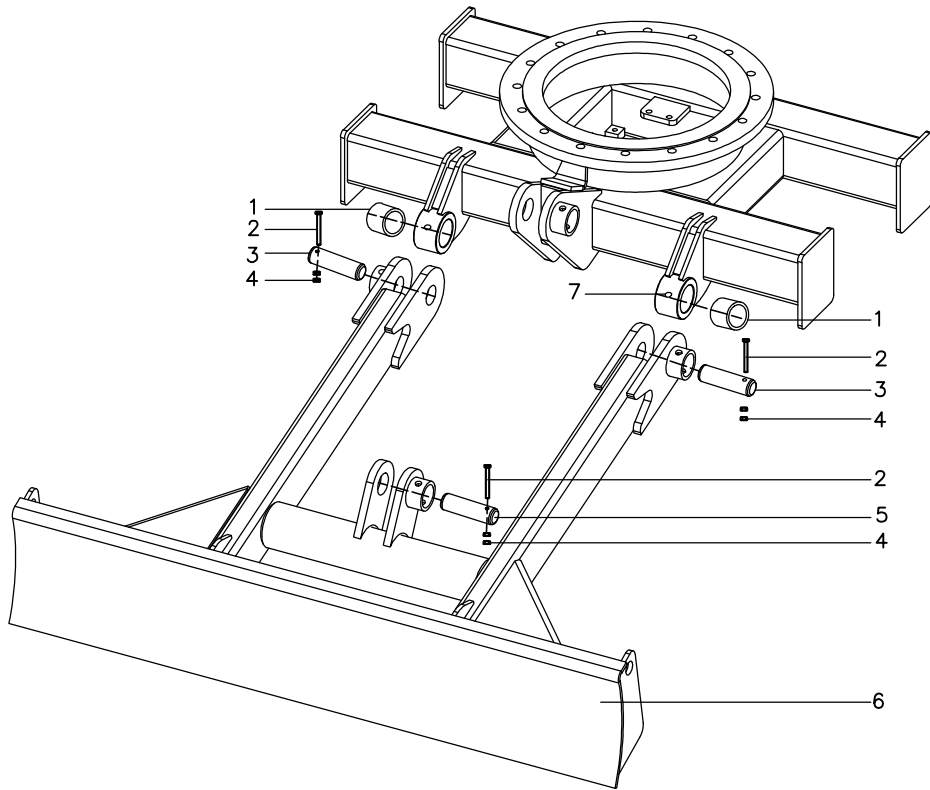
Travel System



Travel System

Index	Part NO	Description	Quantity	Remarks
1	1801060	Rubber Track ASS'Y	2	
2	1801040	Front Idler ASS'Y	2	
3	1801050	Tension Device	2	
4	1801090	Swing Circle	1	
5	GB9714	Washer	16	
6	M14X55	Bolt	16	
7	1801100	Track Frame	1	
8	1801030	Track Roller ASS'Y	8	
9	GB9712	Washer	34	
10	GB9312	Washer Spring	34	
11	M12X30	Bolt	16	
12	1801003	Cover	2	
13	M8X20	Bolt	4	
14	GB9708	Washer	4	
15	GB9308	Washer Spring	4	
16	M12X110	Bolt	4	
17	6170M12	Nut	4	
18	1801070	Speed reducer	2	
19	M12X55	Bolt	8	
20	1801080	Sprocket	2	
21	1801020	Cover	2	
22	M12X20	Bolt	6	
23	1801002	Cover	1	
24	GB9710	Washer	4	
25	GB9310	Washer Spring	4	
26	M10X20	Bolt	4	

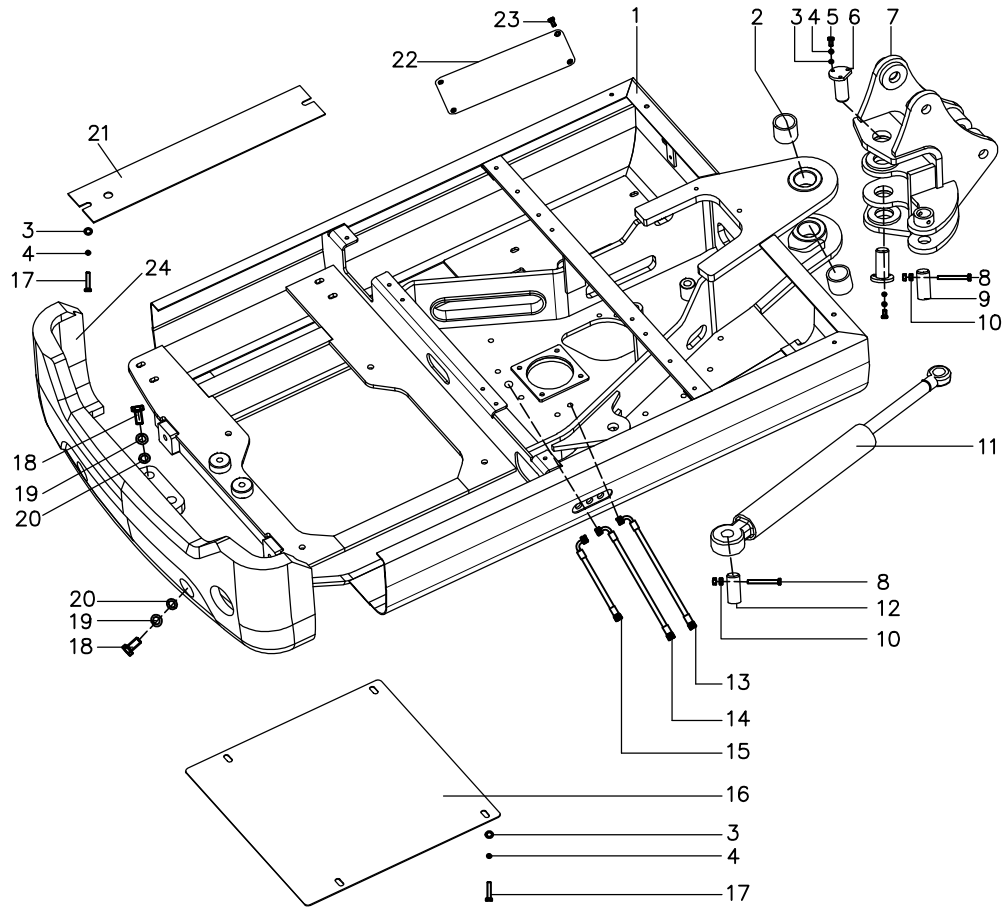
Blade Assembly



Blade Assembly

Index	Part NO	Description	Quantity	Remarks
1	CT02003	Bushing	2	
2	M10X90	Bolt	4	
3	1809005	Pin	2	
4	6170M10	Nut	8	
5	1809006	Pin	2	
6	1813100	Blade	1	
7	YBM10X1	Fitting, Grease	2	

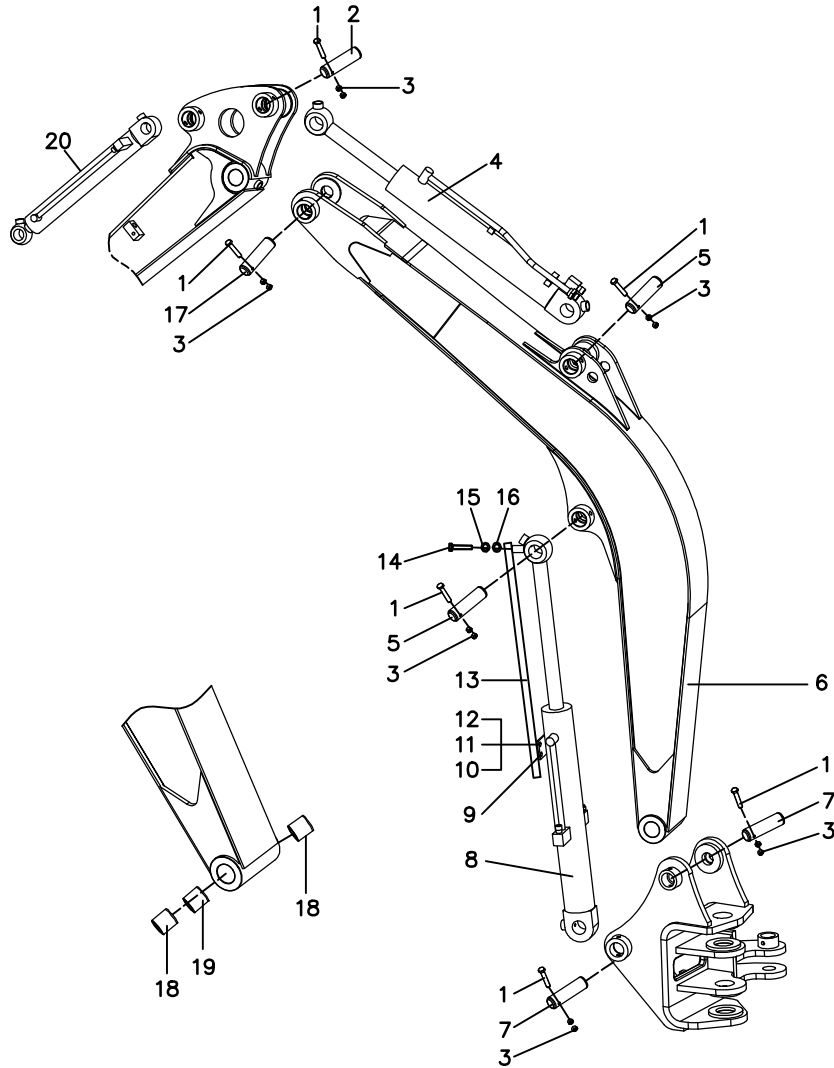
Revoling Frame



Revoling Frame

Index	Part NO	Description	Quantity	Remarks
1	1802100	Frame	1	
2	CT02048	Bushing	2	
3	GB9710	Washer	12	
4	GB9310	Washer Spring	12	
5	M10X25	Bolt	6	
6	1809050	Pin	1	
7	1802300	Steering head	1	
8	M8X60	Bolt	2	
9	1809007	Pin	1	
10	6170M10	Nut	4	
11	1816210	Oil cylinder	1	
12	1809008	Pin	1	
13	1816035	Tube	1	
14	1816036	Tube	1	
15	1816037	Tube	1	
16	1802003	Cover	1	
17	M10X20	Bolt	6	
18	M16X50	Bolt	4	
19	GB9316	Washer Spring	4	
20	GB9716	Washer	4	
21	1802004	Cover	1	
22	1802102	Cover	1	
23	M8X20	Bolt	4	
24	1802200	Counterweight	1	

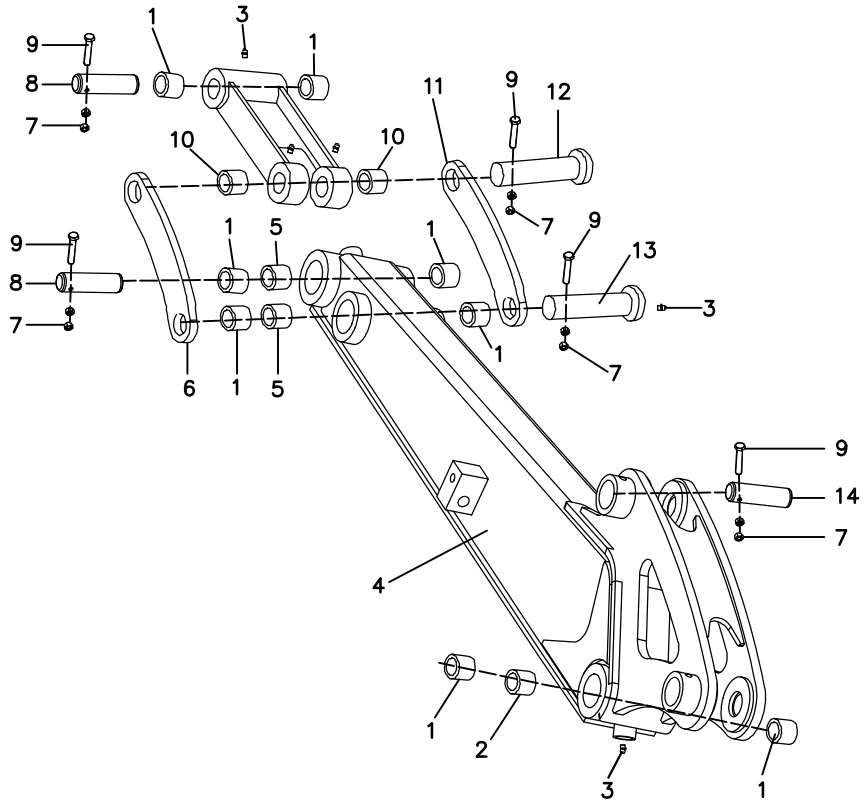
Work Equipment



Work Equipment

Index	Part NO	Description	Quantity	Remarks
1	M8X60	Bolt	2	
2	1809002	Pin	1	
3	6170M8	Nut	16	
4	1810320	Arm cylinder	1	
5	1809003	Pin	2	
6	1803100	Boom	1	
7	1809001	Pin	2	
8	1810310	Boom cylinder	1	
9	1803204	Plate	1	
10	M8X20	Bolt	4	
11	GB9708	Washer	4	
12	GB9308	Washer Spring	4	
13	1803210	Sylinder Guard	1	
14	M10X20	Bolt	1	
15	GB9310	Washer Spring	1	
16	GB9710	Washer	1	
17	1809030	Pin	1	
18	CT01026	Bushing	2	
19	1803001	Bushing	1	
20	1810330	Bucket sylinder	1	

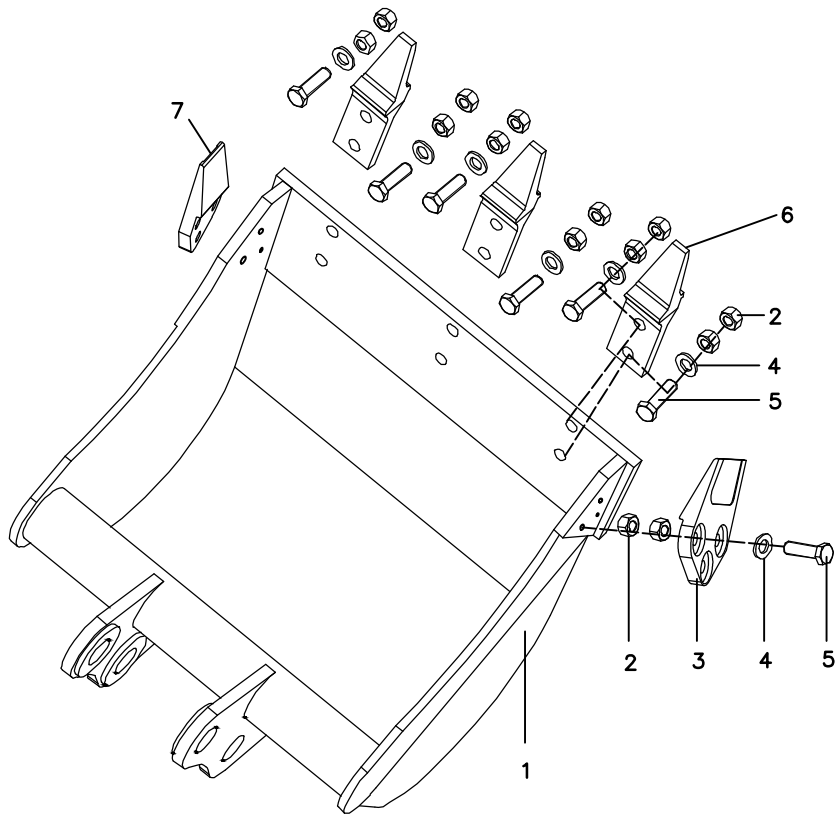
Work Equipment



Work Equipment

Index	Part NO	Description	Quantity	Remarks
1	CT01026	Bushing	8	
2	1804001	Bushing	1	
3	YBM10X1	Fitting, Grease	6	
4	1804100	Arm	1	
5	1804002	Bushing	2	
6	1807100	Right pendulum lever	1	
7	6170M8	Nut	10	
8	1809001	Pin	2	
9	M8X60	Bolt	5	
10	CT01026	Bushing	2	
11	1806100	Left pendulum lever	1	
12	1809010	Pin	1	
13	1809020	Pin	1	
14	1809002	Pin	1	

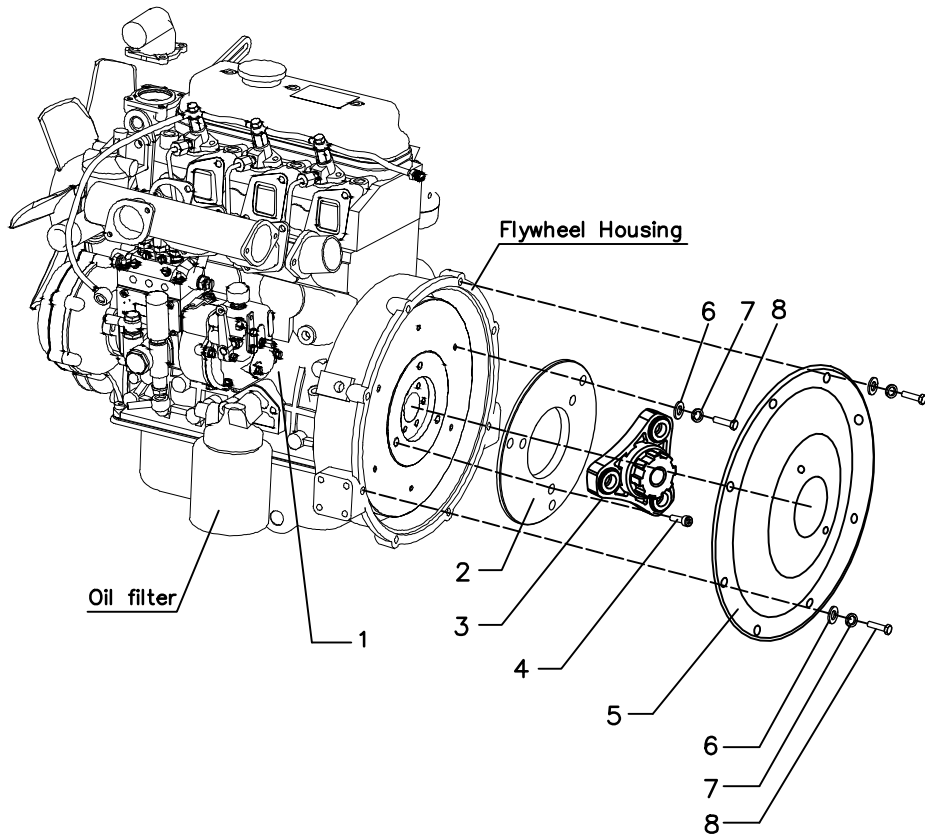
Work Equipment



Work Equipment

Index	Part NO	Description	Quantity	Remarks
1	1805100	Bucket	1	
2	6170M12	Nut	12	
3	1805210	Cutter	2	
4	GB9712	Washer	12	
5	M12X45	Bolt	12	
6	1805230	Tooth	3	
7	1805220	Cutter	1	

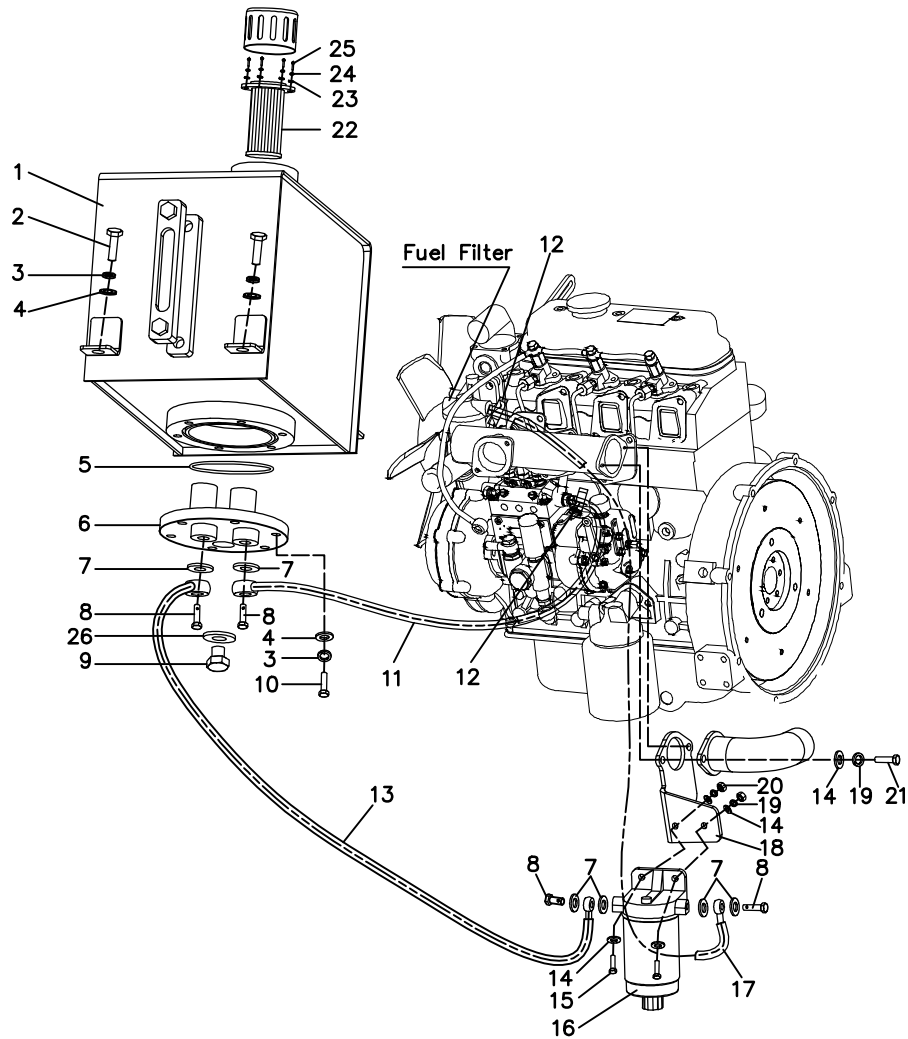
Power Take Off



Power Take Off

Index	Part NO	Description	Quantity	Remarks
1	1812100	Diesel engine	1	
2	1812210	Flange	4	
3	1812220	Coupling	2	
4	M10X25	Screw	3	
5	1812230	Flange	2	
6	GB9712	Washer	11	
7	GB9312	Washer Spring	11	
8	M12X30	Bolt	11	

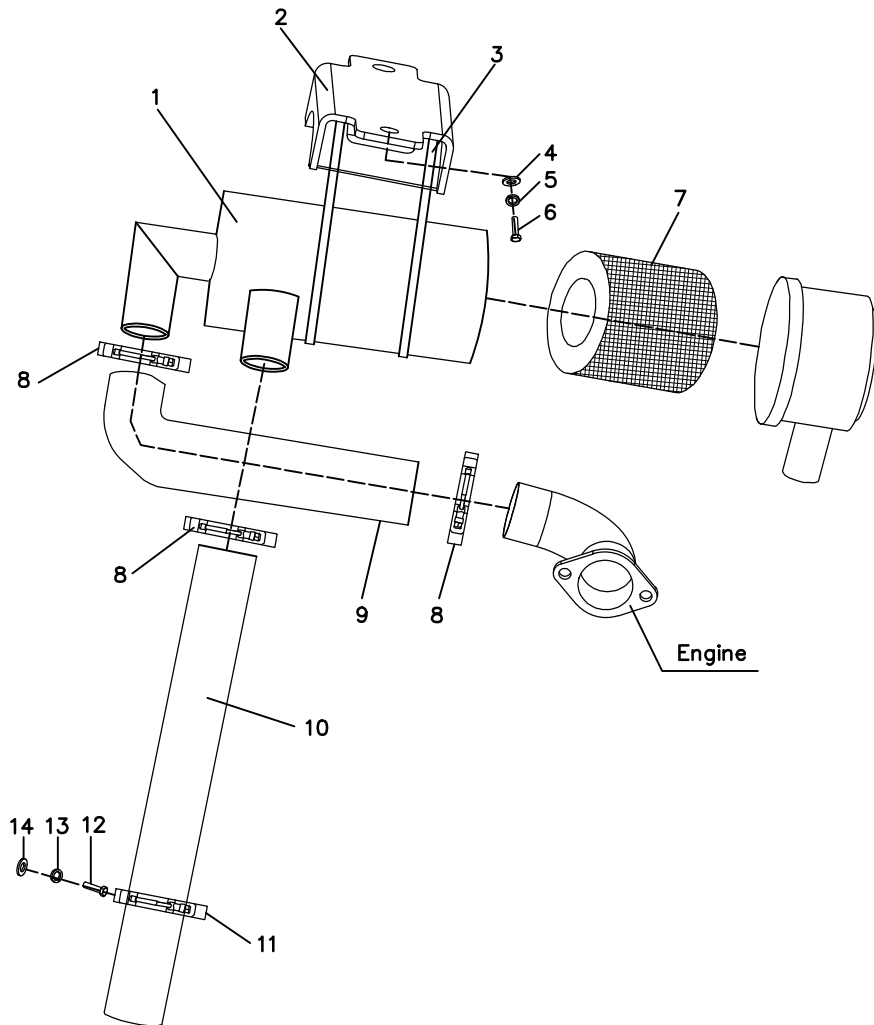
Fuel System



Fuel System

Index	Part NO	Description	Quantity	Remarks
1	1802510	Fuel Tank	1	
2	M10X25	Bolt	4	
3	GB9310	Washer Spring	10	
4	GB9710	Washer	10	
5	120X3.5	O-Ring	1	
6	1802520	Flange	1	
7	1812601	Gasket	6	
8	1812602	Bolt	4	
9	M27X2	Plug	1	
10	M10X30	Bolt	6	
11	1812620	Hose ASS'Y	1	
12	1812603	Clip	2	
13	1812630	Hose ASS'Y	1	
14	GB9708	Washer	6	
15	M8X30	Bolt	2	
16	1812650	Fuel Filter	1	
17	1812640	Hose ASS'Y	1	
18	1812610	Bracket	1	
19	GB9308	Washer Spring	4	
20	6170M8	Nut	2	
21	M8X25	Bolt	2	
22	1802540	Hydraulic Air Filter	1	
23	GB9705	Washer	6	
24	GB9305	Washer Spring	6	
25	M5X15	Screw	6	
26	1812604	Gasket	1	

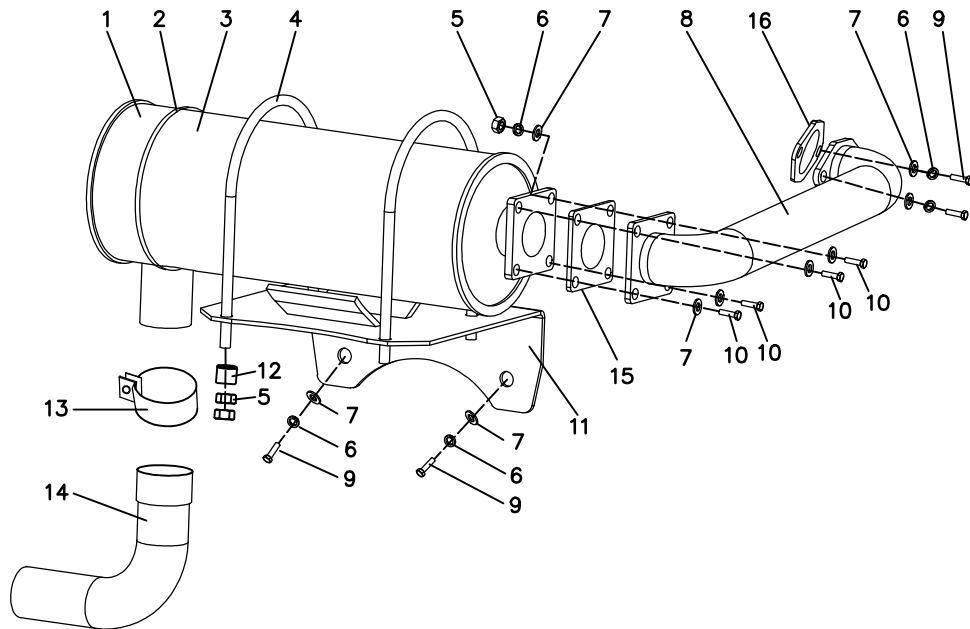
Air System



Air System

Index	Part NO	Description	Quantity	Remarks
1	1812310	Air Cleaner	1	
2	1812320	Support	1	
3	1812304	Clamp	2	
4	GB9712	Washer	2	
5	GB9312	Washer Spring	2	
6	M10X20	Bolt	2	
7	1812311	Air Filter	1	
8	1812305	Clamp	3	
9	1812302	Hose	1	
10	1812301	Hose	1	
11	1812306	Clamp	1	
12	GB9708	Washer	1	
13	GB9308	Washer Spring	1	
14	M8X20	Bolt	1	

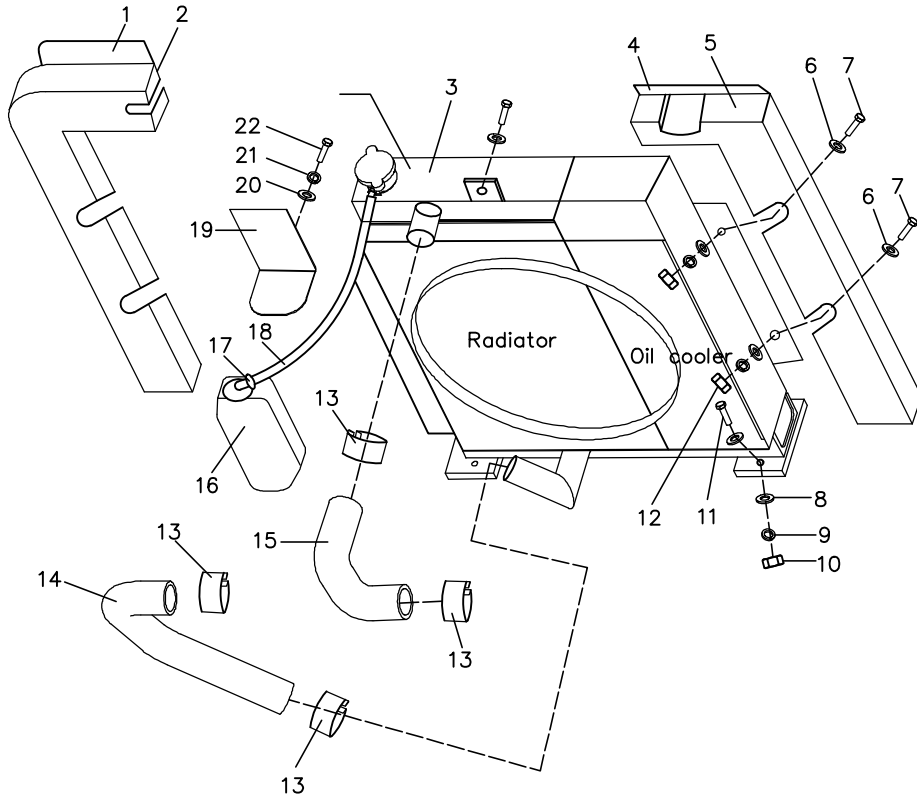
Exhaust



Exhaust

Index	Part NO	Description	Quantity	Remarks
1	1812420	Muffler	1	
2	1812304	Clamp	2	
3	1812304	Asbestos Insulation	1	
4	1812401	Bolt	2	
5	6170M10	Nut	12	
6	GB9310	Washer Spring	9	
7	GB9710	Washer	13	
8	1812430	Adapter	1	
9	M10X25	Bolt	5	
10	M10X35	Bolt	4	
11	1812306	Bracket	1	
12	1812402	Flange	4	
13	1812422	Clamp	1	
14	1812421	Pipe	1	
15	1812403	Gasket	1	
16	1812404	Gasket	1	

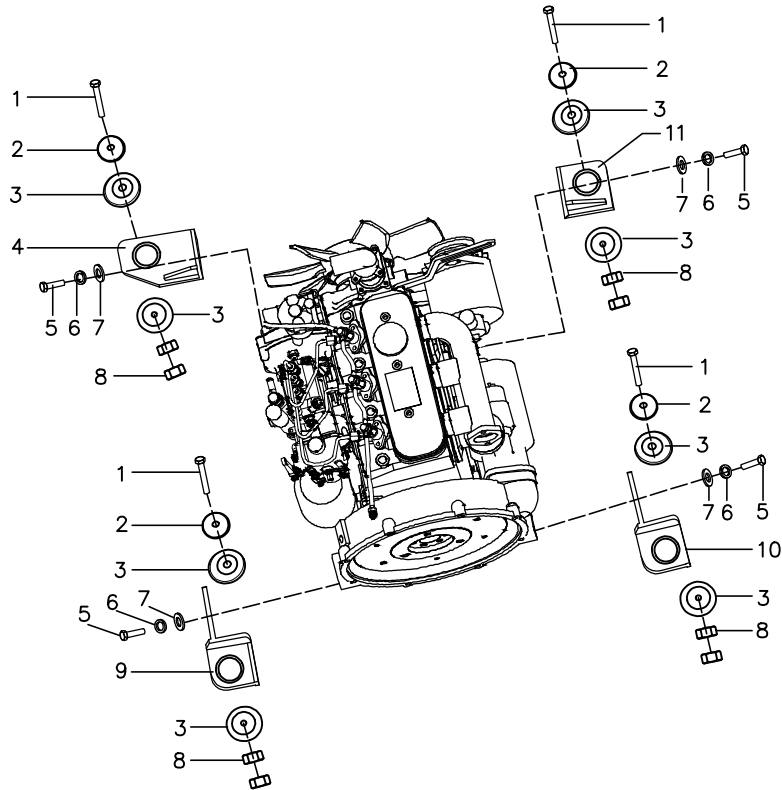
Cooling System



Cooling System

Index	Part NO	Description	Quantity	Remarks
1	1812502	Plate	1	
2	1812504	Sponge	1	
3	1812510	Radiator and Oil Cooler	1	
4	1812501	Plate	1	
5	1812506	Sponge	1	
6	GB9608	Washer	5	
7	M8X30	Bolt	5	
8	GB9612	Washer	4	
9	GB9312	Washer Spring	4	
10	6170M12	Nut	4	
11	M12X50	Bolt	4	
12	6170M8	Nut	5	
13	1812508	Clamp	4	
14	2212508	Hose	1	
15	2212502	Hose	1	
16	2212520	Water Case	1	
17	1812509	Clip	2	
18	1812530	Hose	1	
19	2212530	Bracket	1	
20	GB9708	Washer	2	
21	GB9308	Washer Spring	2	
22	M8X20	Bolt	2	

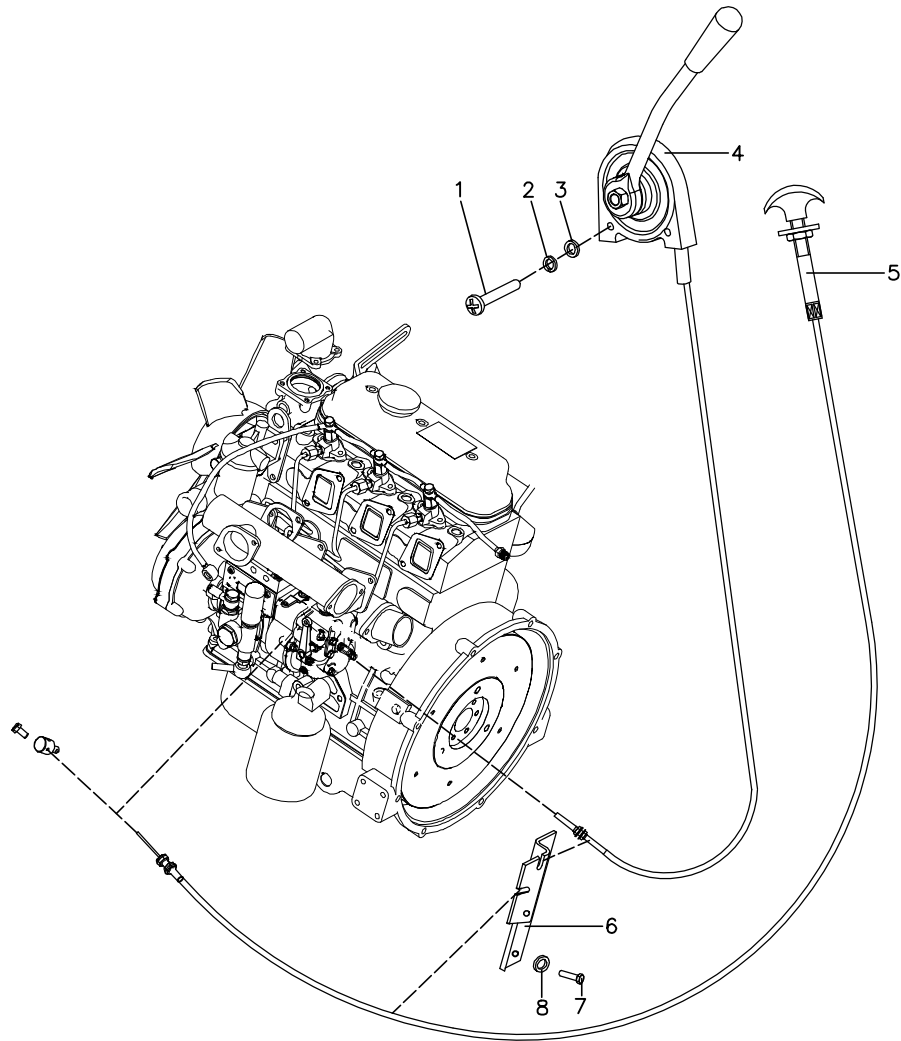
Engine Mounting Parts



Engine Mounting Parts

Index	Part NO	Description	Quantity	Remarks
1	M12X130	Bolt	4	
2	2212101	Plane	4	
3	2212015	Cushion	8	
4	2212120	Bracket	1	
5	M10X30	Bolt	16	
6	GB9310	Washer Spring	16	
7	GB9710	Washer	16	
8	6170M10	Nut	8	
9	2212140	Bracket	1	
10	2212130	Bracket	1	
11	2212110	Bracket	1	

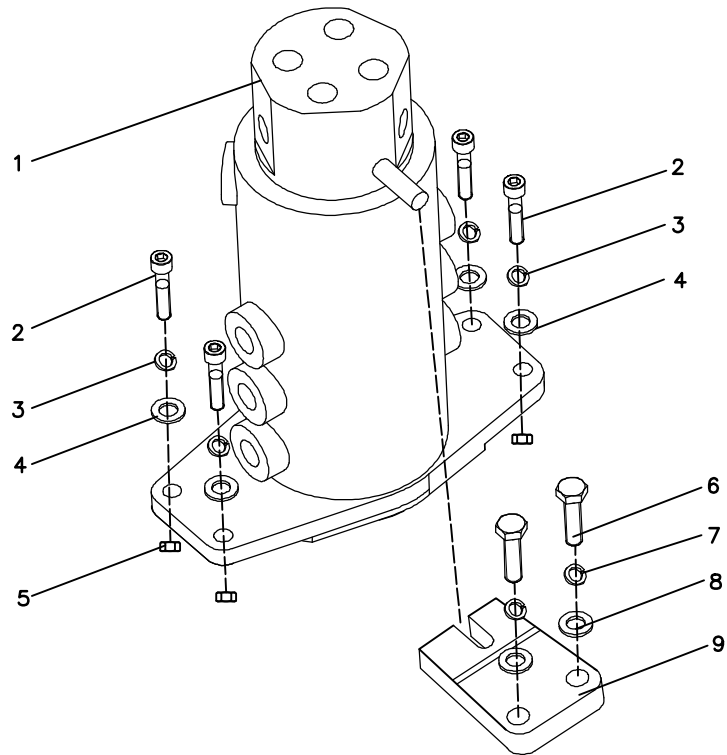
Fuel Control System



Fuel Control System

Index	Part NO	Description	Quantity	Remarks
1	M6X16	Bolt	4	
2	GB9306	Washer Spring	4	
3	GB9706	Washer	4	
4	2212710	Hand Throttle Line	1	
5	2212720	Flameout Line	1	
6	2212701	Bracket	1	
7	M8X20	Bolt	2	
8	GB9708	Washer	2	

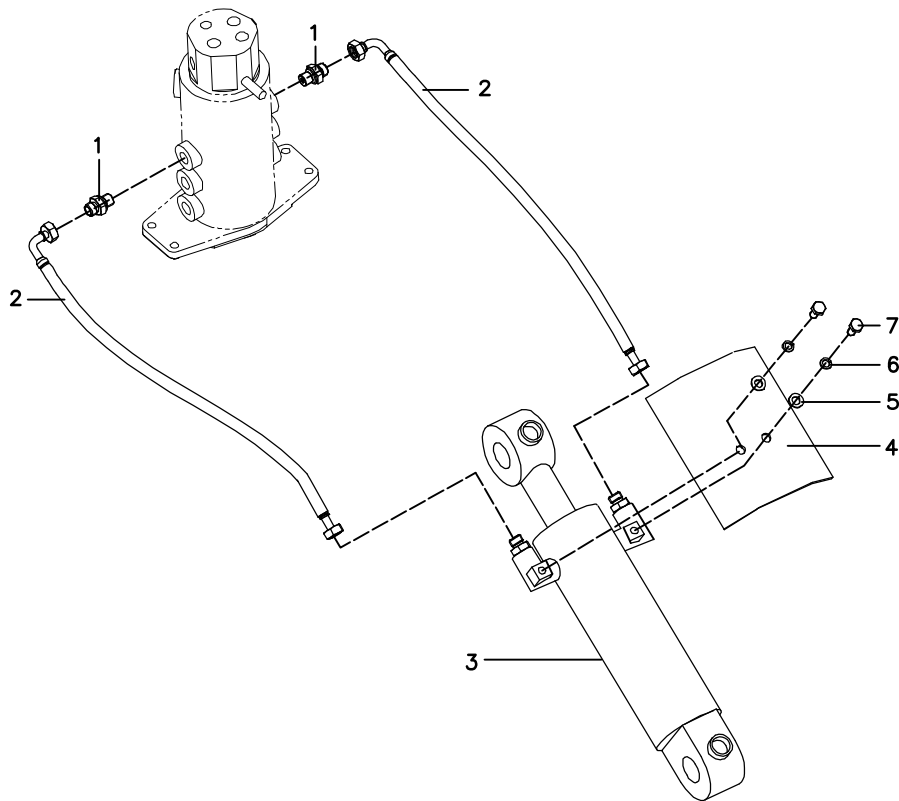
Swivel Joint



Swivel Joint

Index	Part NO	Description	Quantity	Remarks
1	1810120	Swivel Joint	1	
2	M8X40	Bolt	4	
3	GB9308	Washer Spring	4	
4	GB9708	Washer	8	
5	6170M8	Nut	8	
6	M12X35	Bolt	2	
7	GB9312	Washer Spring	2	
8	GB9712	Washer	2	
9	1802001	Yoke	1	

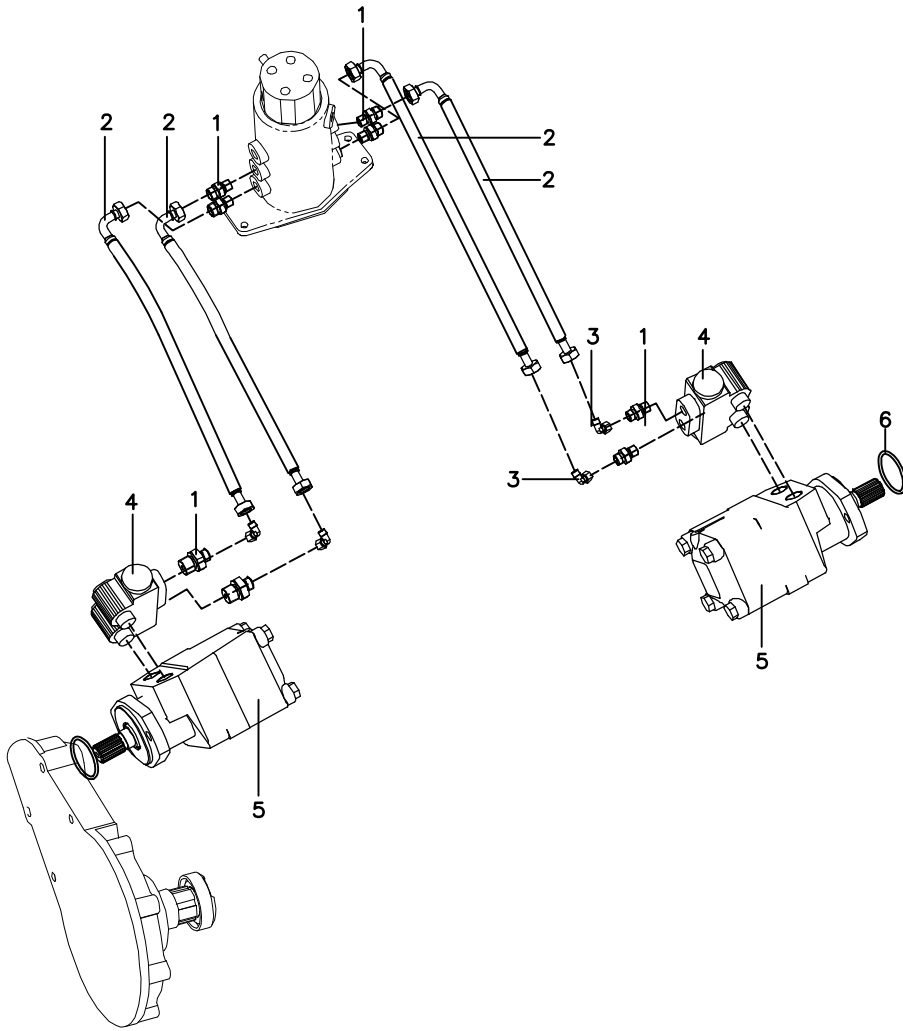
Lower Hydraulic Piping



Lower Hydraulic Piping

Index	Part NO	Description	Quantity	Remarks
1	12LG $\frac{1}{4}$ ED	Joint	2	
2	1816102	Hose	2	
3	1810110	Blade cylinder	1	
4	1813101	Cover	1	
5	GB9310	Washer Spring	2	
6	GB9710	Washer	2	
7	M10X20	Bolt	2	

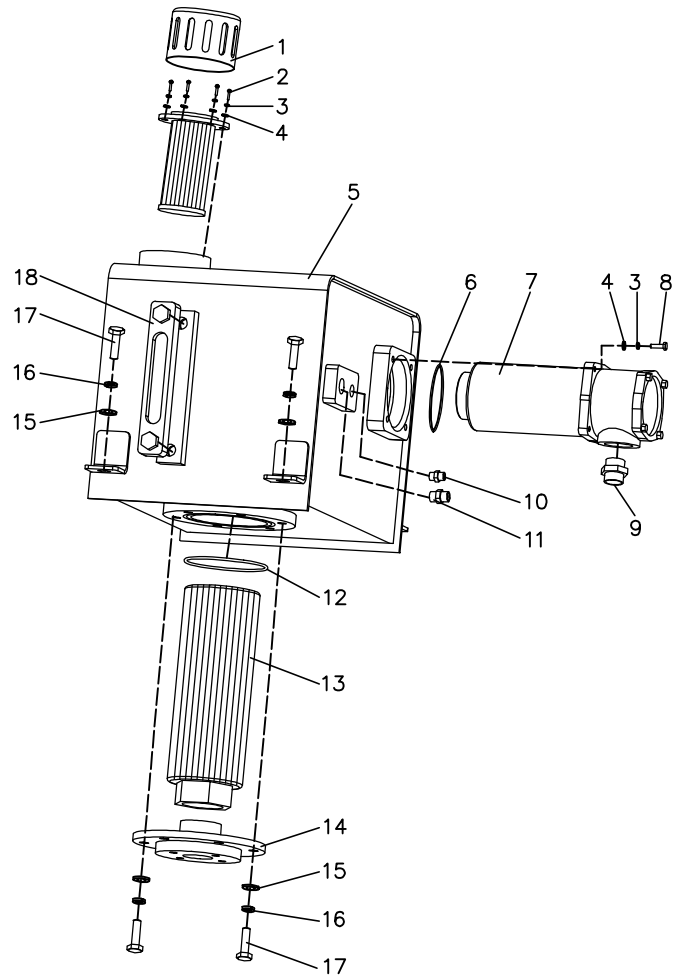
Lower Hydraulic Piping



Lower Hydraulic Piping

Index	Part NO	Description	Quantity	Remarks
1	12LG $\frac{1}{4}$ ED	Joint	4	
2	1816101	Hose	4	
3	I12L	Elbow	4	
4	1810140	Brake Valve	2	
5	1810130	Travel Motor	2	
6	ø90X3.5	O-Ring	2	

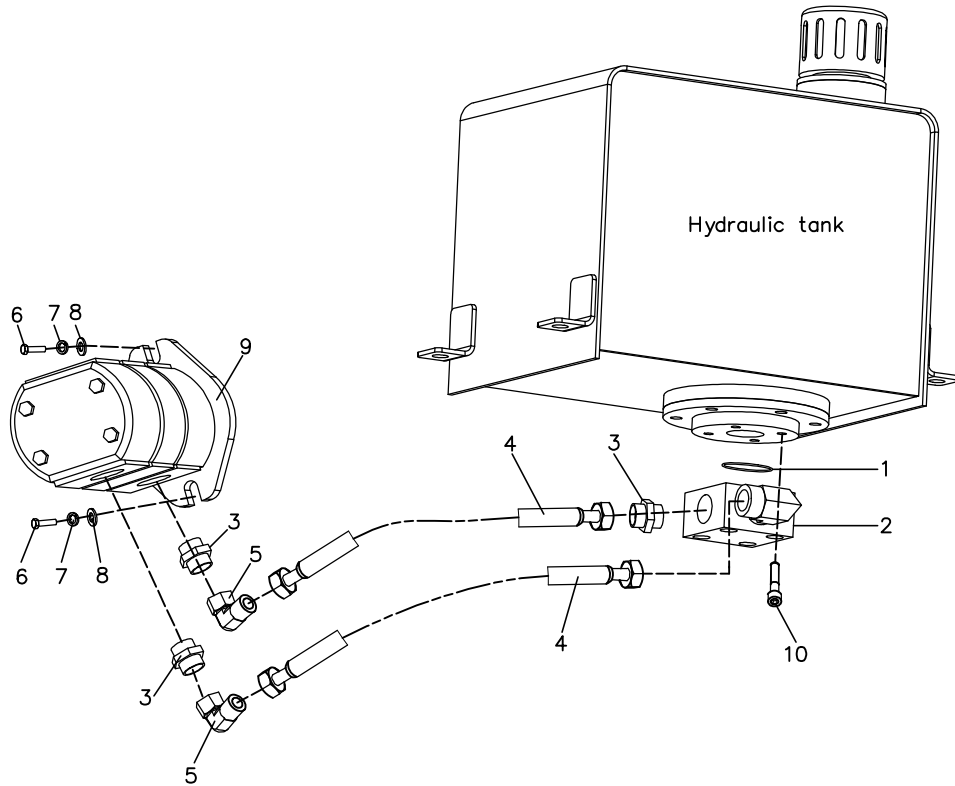
Hydraulic Tank



Hydraulic Tank

Index	Part NO	Description	Quantity	Remarks
1	1802440	Hydraulic Air Filter	1	
2	M5X15	Bolt	6	
3	GB9705	Washer	10	
4	GB9305	Washer Spring	10	
5	1802410	Hydraulic tank	1	
6	80X3.55	O-Ring	1	
7	RF11020	Filter	1	
8	M5X25	Bolt	4	
9	18LM33ED	Joint	1	
10	08LM14ED	Joint	1	
11	12LM18ED	Joint	1	
12	100X3.55	O-Ring	1	
13	WU25060	Filter	1	
14	1802420	Flange	1	
15	GB9710	Washer	10	
16	GB9310	Washer Spring	10	
17	M10X25	Bolt	10	
18	YWZ150	Level Indicator	1	

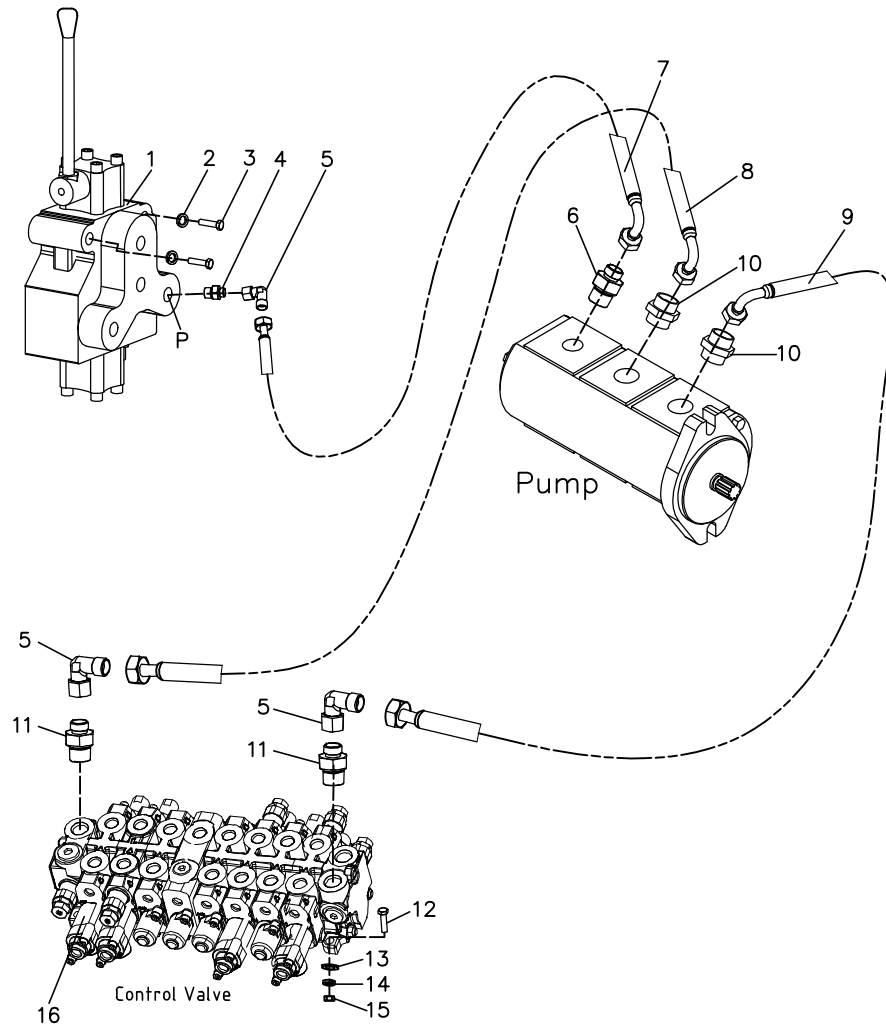
Suction Piping



Suction Piping

Index	Part NO	Description	Quantity	Remarks
1	50X3.5	O-Ring	1	
2	1802430	Flange	1	
3	22LM33ED	Joint	3	
4	1816213	Hose ASS'Y	2	
5	LZ22L	Elbow	2	
6	M10X30	Bolt	2	
7	GB9310	Washer Spring	2	
8	GB9710	Washer	2	
9	F101004	Pump	1	
10	M10X40	Bolt	4	

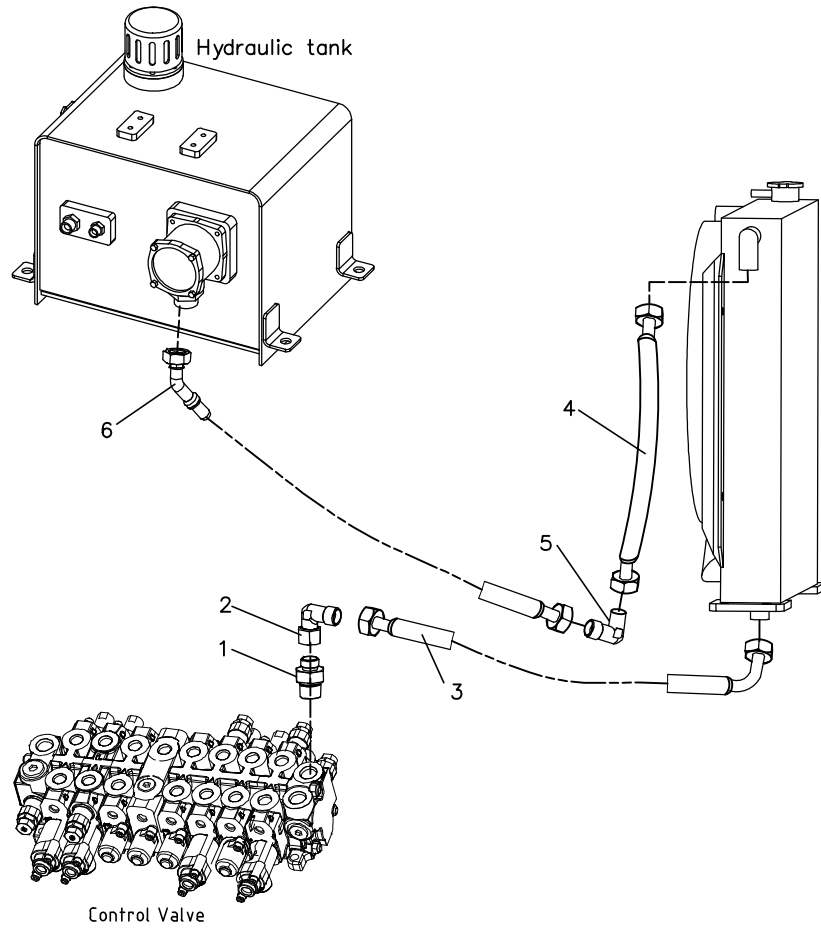
Delivery Piping



Delivery Piping

Index	Part NO	Description	Quantity	Remarks
1	1810230	Blade Valve	1	
2	GB9308	Washer Spring	2	
3	M8X60	Bolt	2	
4	12LG3/8ED	Joint	2	
5	LZ12L	Elbow	3	
6	12LM18ED	Joint	1	
7	1816214	Hose ASS'Y	1	
8	1816215	Hose ASS'Y	1	
9	1816216	Hose ASS'Y	1	
10	12LM22ED	Joint	2	
11	12LG1/2ED	Joint	2	
12	M10X25	Bolt	3	
13	GB9610	Washer	3	
14	GB9310	Washer Spring	3	
15	6170M10	Nut	3	
16	1810520	Control Valve	1	

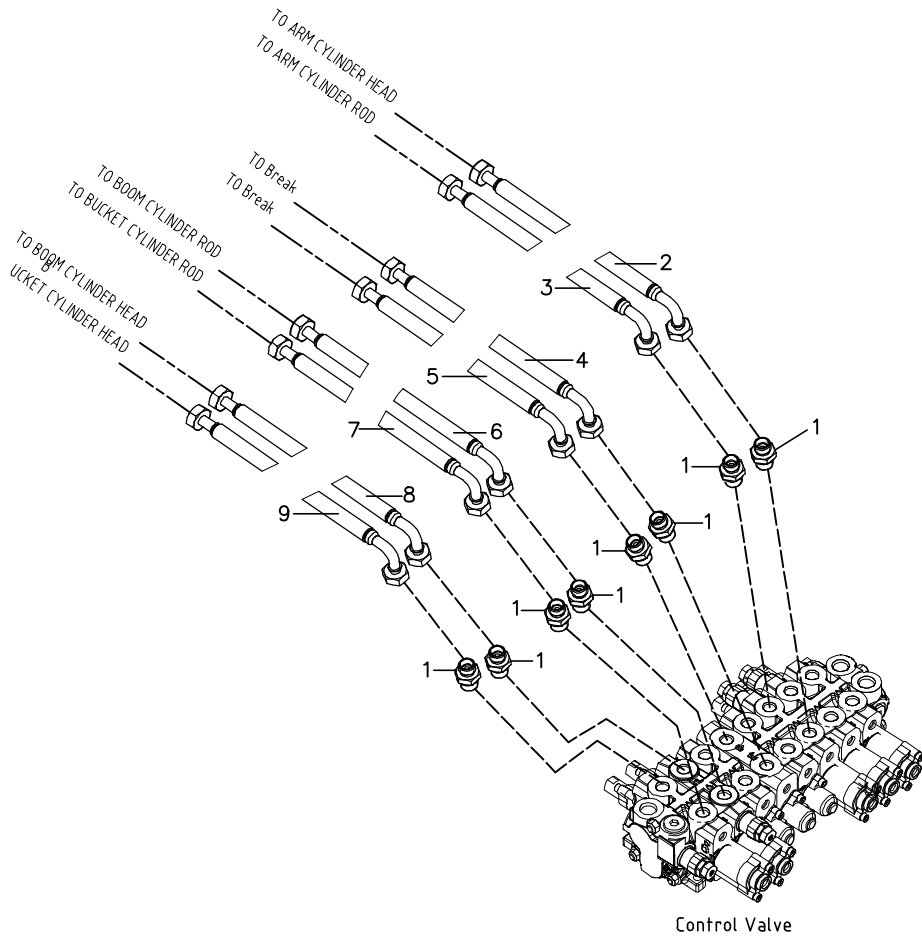
Return Piping



Return Piping

Index	Part NO	Description	Quantity	Remarks
1	18LG1/2ED	Joint	1	
2	LZ18L	Elbow	1	
3	1816226	Hose ASS'Y	1	
4	1816227	Hose ASS'Y	1	
5	118L	Joint	1	
6	1816228	Hose ASS'Y	1	

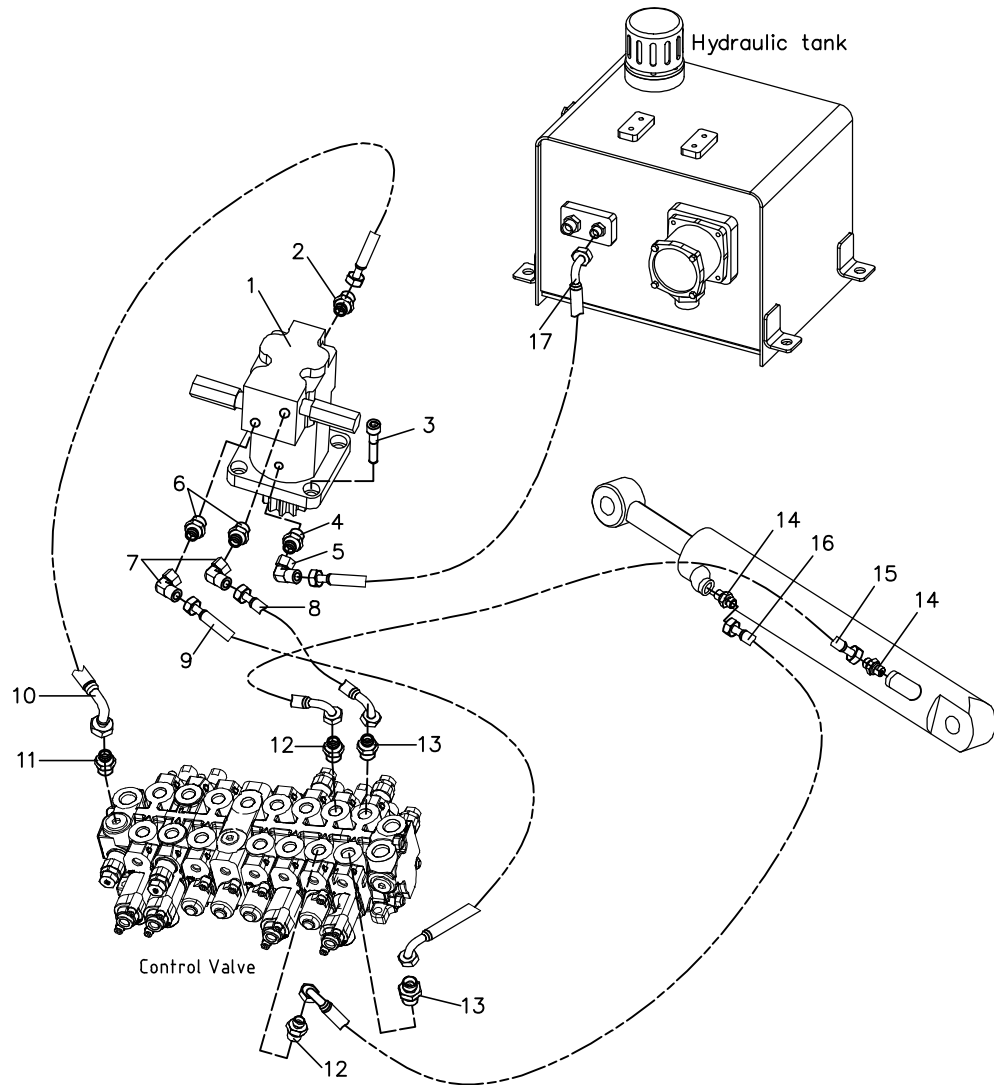
Actuator Line (To Boom piping)



Actuator Line (To Boom piping)

Index	Part NO	Description	Quantity	Remarks
1	12LG3/8ED	Joint	8	
2	1816212	Hose ASS'Y	1	
3	1816211	Hose ASS'Y	1	
4	1816208	Hose ASS'Y	1	
5	1816207	Hose ASS'Y	1	
6	1816204	Hose ASS'Y	1	
7	1816202	Hose ASS'Y	1	
8	1816203	Hose ASS'Y	1	
9	1816201	Hose ASS'Y	1	

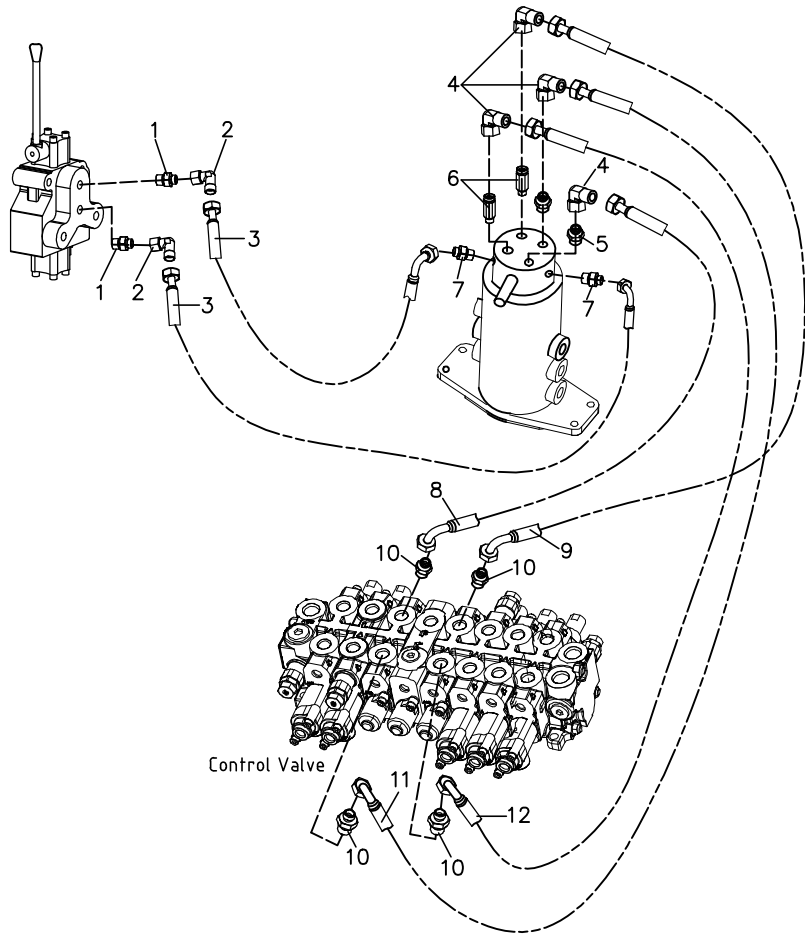
Actuator Line (Swing piping)



Actuator Line (Swing piping)

Index	Part NO	Description	Quantity	Remarks
1	1810260	Swing Motor	1	
2	08LG1/4ED	Joint	1	
3	M12X45	Bolt	4	
4	08LG1/4	Joint	1	
5	LZ08L	Elbow	3	
6	12LG1/2ED	Joint	2	
7	LZ12L	Elbow	2	
8	1816220	Hose ASS'Y	1	
9	1816221	Hose ASS'Y	1	
10	1816222	Hose ASS'Y	1	
11	08LG1/2ED	Joint	1	
12	08LG3/8ED	Joint	2	
13	12LG3/8ED	Joint	2	
14	08LG1/4ED	Joint	2	
15	1816223	Hose ASS'Y	1	
16	1816224	Hose ASS'Y	1	
17	1816225	Hose ASS'Y	1	

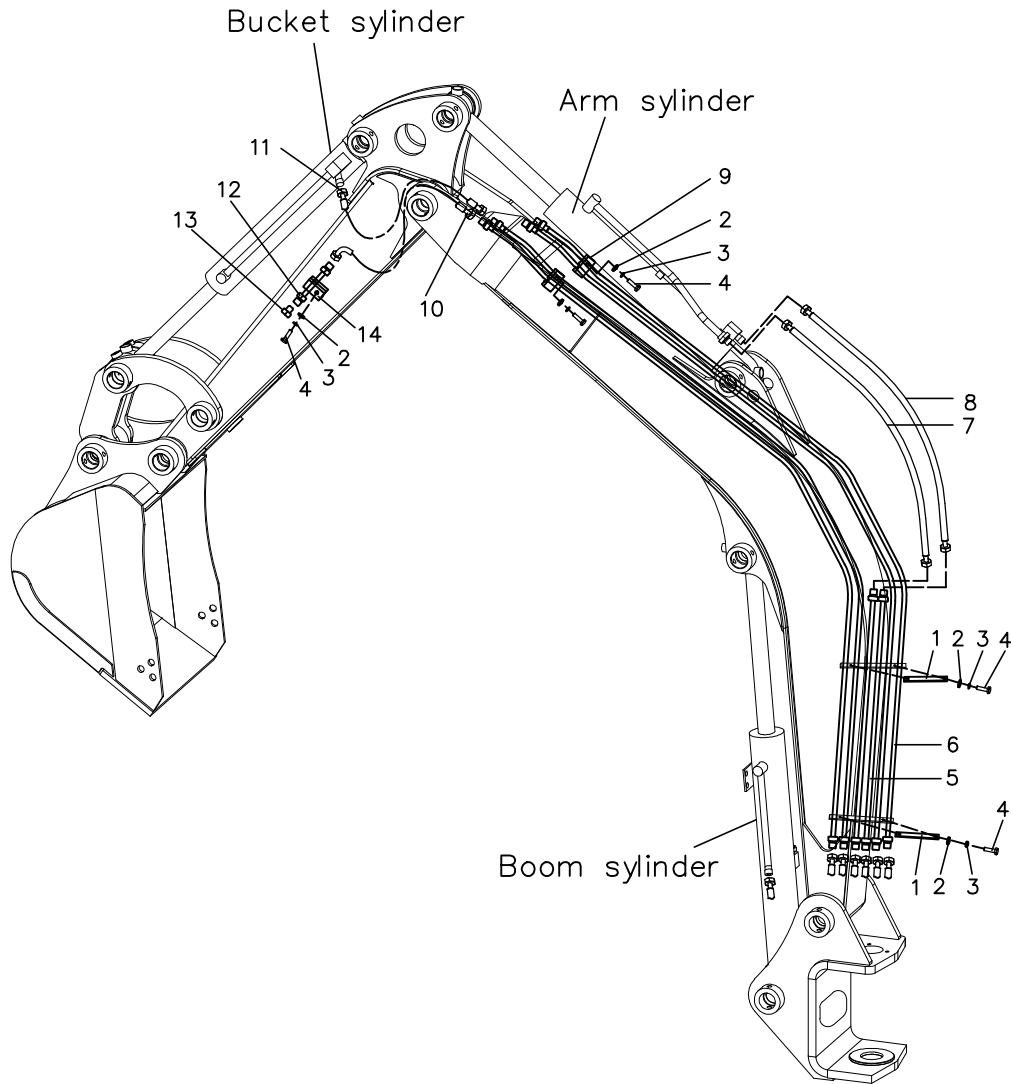
Actuator Line (To Travel piping)



Actuator Line (To Travel piping)

Index	Part NO	Description	Quantity	Remarks
1	08LG3/8ED	Joint	2	
2	LZ08L	Elbow	2	
3	1816217	Hose ASS'Y	2	
4	LZ12L	Elbow	4	
5	12LG1/4ED	Joint	2	
6	12LG1/4ED	Joint	2	
7	08LG1/4ED	Joint	2	
8	1816218	Hose ASS'Y	1	
9	1816219	Hose ASS'Y	1	
10	12LG3/8ED	Joint	4	
11	1816218	Hose ASS'Y	1	
12	1816219	Hose ASS'Y	1	

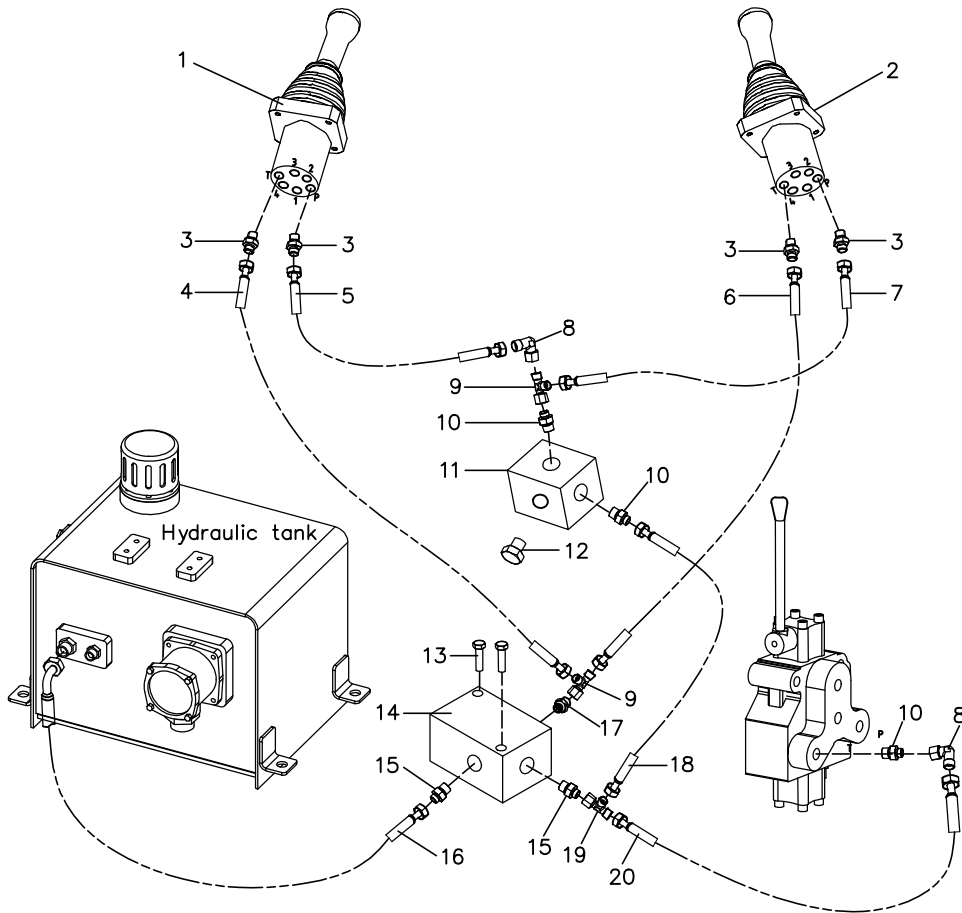
Boom piping



Boom piping

Index	Part NO	Description	Quantity	Remarks
1	1803101	Clamp	2	
2	GB9310	Washer Spring	8	
3	GB9710	Washer	8	
4	M10X30	Bolt	8	
5	1803120	Pipe	2	
6	1803130	Pipe	4	
7	1816501	Hose ASS'Y	1	
8	1816502	Hose ASS'Y	1	
9	1810260	Clamp	2	
10	1816503	Hose ASS'Y	2	
11	1816504	Hose ASS'Y	2	
12	1804110	Pipe	2	
13	1810260	Plug	2	
14	1803102	Clamp	2	

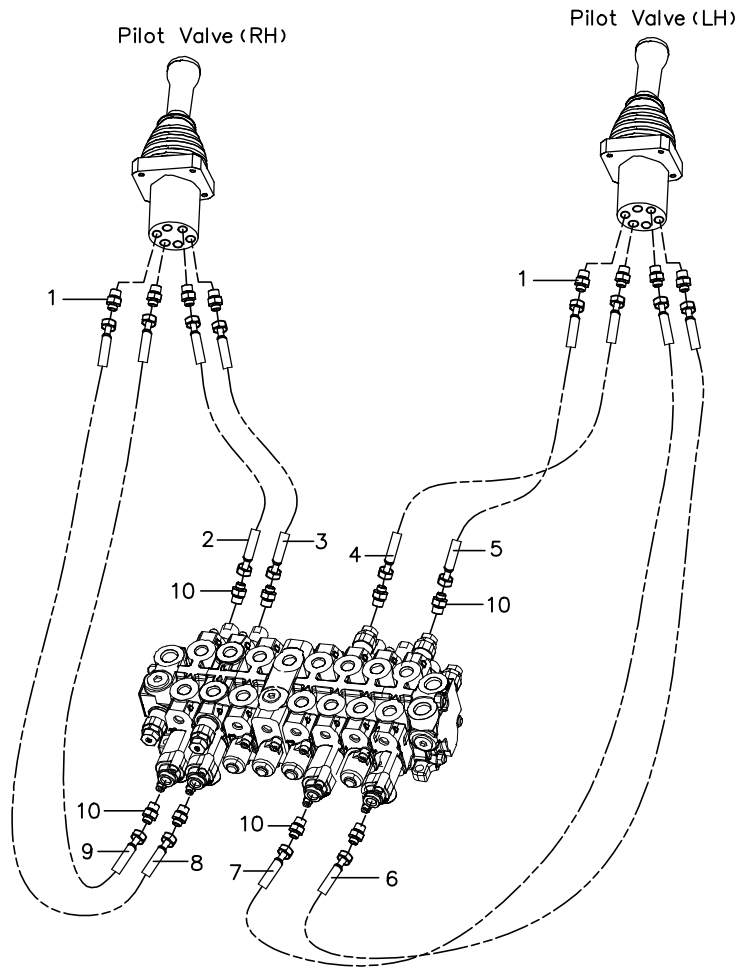
Pilot Hydraulic System



Pilot Hydraulic System

Index	Part NO	Description	Quantity	Remarks
1	1810410	Pilot Valve (RH)	1	
2	1810420	Pilot Valve (LH)	1	
3	08LG $\frac{1}{4}$ 0	Joint	4	
4	1816301	Hose ASS'Y	1	
5	1816302	Hose ASS'Y	1	
6	1816303	Hose ASS'Y	1	
7	1816304	Hose ASS'Y	1	
8	LZ08L	Elbow	2	
9	YZ08L	Connector	2	
10	08LG $\frac{3}{8}$ ED	Joint	3	
11	1810430	Valve	1	
12	DEG $\frac{3}{8}$ ED	Plug	1	
13	M8X60	Bolt	2	
14	1810440	Decompress Valve	1	
15	12LM18ED	Joint	2	
16	1816305	Hose ASS'Y	1	
17	08LM18ED	Joint	1	
18	1816306	Hose ASS'Y	1	
19	YZ120812	Connector	1	
20	1816307	Hose ASS'Y	1	

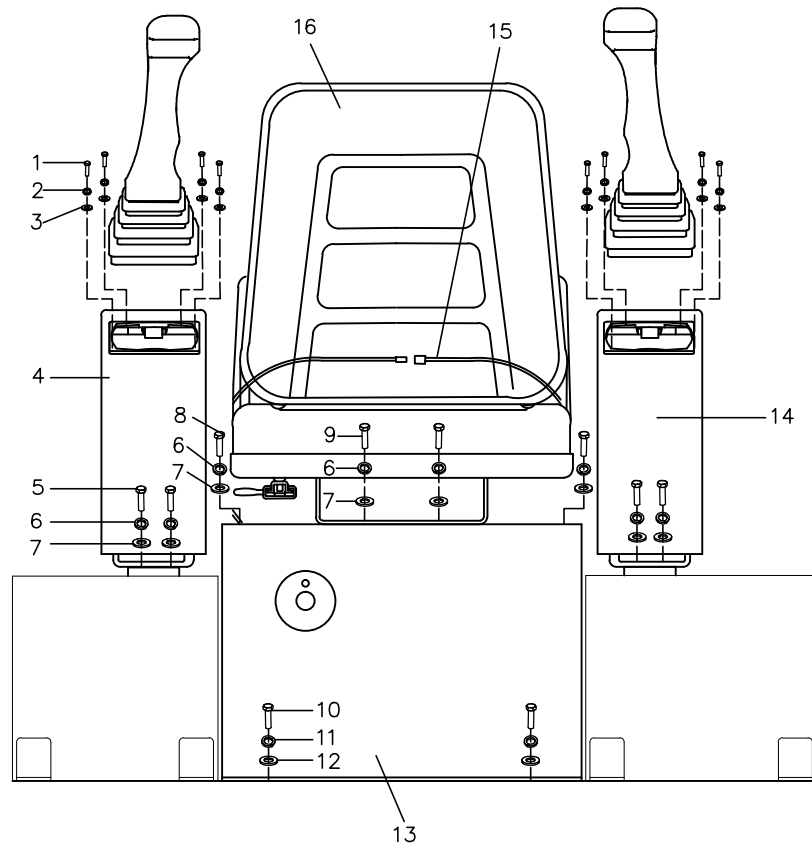
Pilot Hydraulic System



Pilot Hydraulic System

Index	Part NO	Description	Quantity	Remarks
1	08LG $\frac{1}{4}$ 0	Joint	8	
2	1816307	Hose ASS' Y	1	
3	1816308	Hose ASS' Y	1	
4	1816309	Hose ASS' Y	1	
5	1816311	Hose ASS' Y	1	
6	1816312	Hose ASS' Y	1	
7	1816313	Hose ASS' Y	1	
8	1816314	Hose ASS' Y	1	
9	1816315	Hose ASS' Y	1	
10	08LG $\frac{1}{4}$ ED	Joint	8	

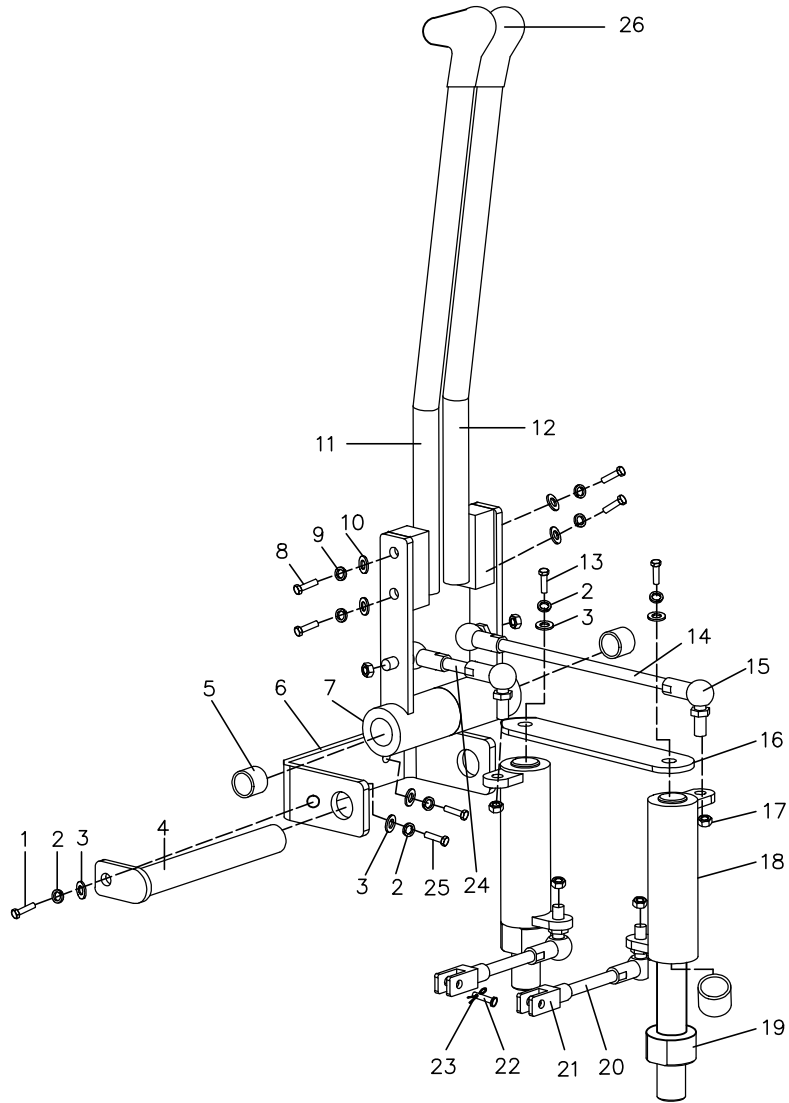
Operator Control Framework



Operator Control Framework

Index	Part NO	Description	Quantity	Remarks
1	M6X16	Bolt	8	
2	GB9306	Washer Spring	8	
3	GB9706	Washer	8	
4	1814520	Cotrol Box (R)	1	
5	M8X16	Bolt	8	
6	GB9308	Washer Spring	12	
7	GB9708	Washer	12	
8	M8X25	Bolt	2	
9	M8X50	Bolt	2	
10	M10X30	Bolt	4	
11	GB9310	Washer Spring	4	
12	GB9710	Washer	4	
13	1814300	Oprator Seat Stand	1	
14	1814510	Cotrol Box (L)	1	
15	1814610	Seat Belt	1	
16	1814600	Seat	1	

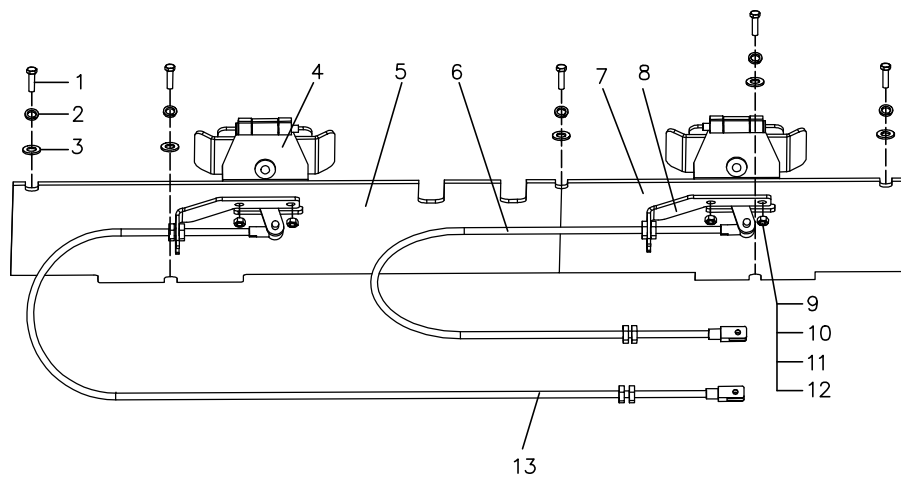
Travel Control



Travel Control

Index	Part NO	Description	Quantity	Remarks
1	M8X16	Bolt	1	
2	GB9308	Washer Spring	5	
3	GB9708	Washer	5	
4	2214120	Pin	1	
5	1814107	Bushing	6	
6	1814101	Bracket	1	
7	1814110	Pin	2	
8	M10X30	Bolt	4	
9	GB9310	Washer Spring	4	
10	GB9710	Washer	4	
11	1814150	Lever(L)	1	
12	1814150	Lever(R)	1	
13	M8X20	Bolt	2	
14	M8X180	Bolt	1	
15	1814106	Globe	6	
16	1814102	Plate	1	
17	6170M8	Nut	14	
18	1814130	Rotate Bushing	2	
19	1814140	Pin	2	
20	M8X85	Bolt	2	
21	1814105	Fork	2	
22	GB81806	Pin	2	
23	GB02X15	Cotter Pin	2	
24	M8X40	Bolt	1	
25	M8X25	Bolt	6	
26	1814160	Knob	2	

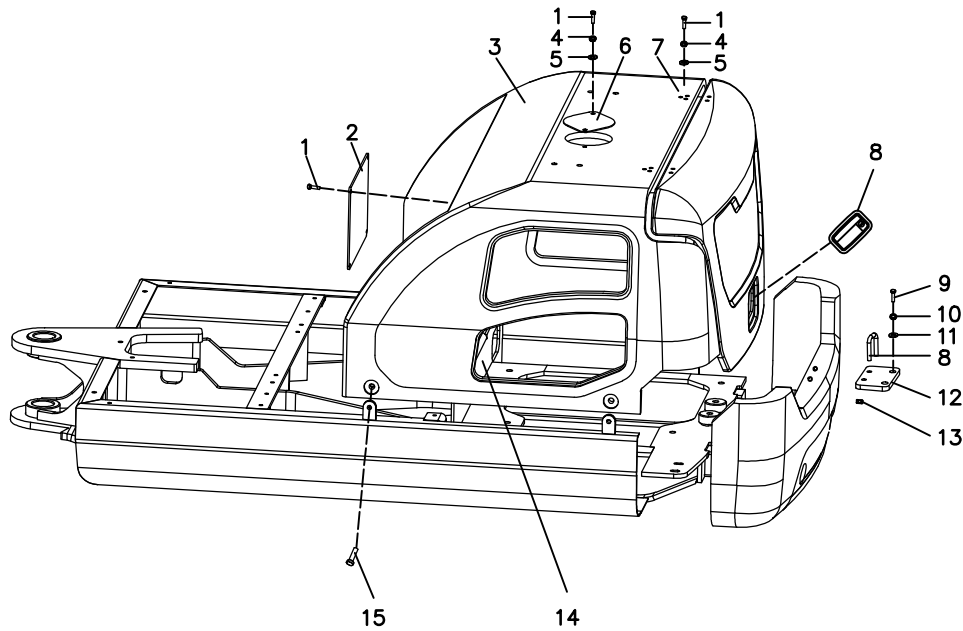
Operator Control Framework (Pedal)



Operator Control Framework (Pedal)

Index	Part NO	Description	Quantity	Remarks
1	M10X20	Bolt	5	
2	GB9310	Washer Spring	5	
3	GB9710	Washer	5	
4	1814200	Foot Pedal	2	
5	1814420	Floor(R)	1	
6	1814510	Flexible Cable	1	
7	1814410	Floor(L)	1	
8	1814201	Bracket	2	
9	M8X20	Bolt	4	
10	GB9308	Washer Spring	4	
11	GB9708	Washer	4	
12	6170M8	Nut	4	
13	1814520	Flexible Cable	1	

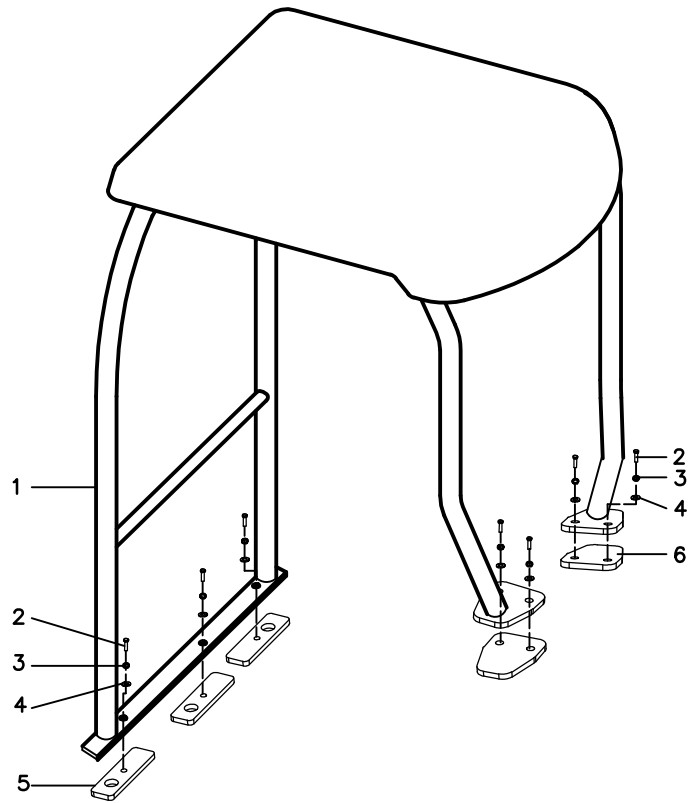
Hood Assembly



Hood Assembly

Index	Part NO	Description	Quantity	Remarks
1	M8X20	Bolt	16	
2	1802601	Cover	1	
3	1802600	Hood	1	
4	GB9308	Washer Spring	12	
5	GB9708	Washer	12	
6	1802602	Cover	1	
7	1802603	Hinge	2	
8	NBS905B	Lock ASSY	1	
9	M10X20	Bolt	2	
10	GB9310	Washer Spring	2	
11	GB9710	Washer	2	
12	1802221	Plate	1	
13	6170M10	Nut	2	
14	1816037	Sponge	1	
15	1802003	Bolt	4	

Cab Assembly



Cab Assembly

Index	Part NO	Description	Quantity	Remarks
1	1811100	Cab	1	
2	M12X35	Bolt	7	
3	GB9312	Washer Spring	7	
4	GB9712	Washer	7	
5	1811101	Rubber Plate	3	
6	1811102	Rubber Plate	1	